

# Recovery drum 307 and 427 liters for Emergencies, long lifetime



07.07 E

## Advantages

- UN homology for **fluid solid** dangerous goods group I, group II and III
- Easy handling with optimal construction
- Quick recovery of damaged containers
- Optimal drainable
- Cost saving - reusable

## Construction

- Body butt - welded
- Top/bottom seamed welded to the body
- Seam reinforced with rod iron
- Top with 2" and 3/4" bung
- Closure galvanized or in stainless steel
- Inside with mounted support ring
- Locking ring with 4 recessed hexagonal screws M12 x 60

## Materials

- Stainless steel 1.4301 (standard) or upon request 1.4435/ AISI/BS 316

- Support ring in stainless steel 1.4301
- Seal: O-ring of EPDM
- Locking ring St 12.03 electroplated
- Plug stainless steel, with PE-washer

## Surface treatment

- Stainless steel untreated

## Remarks

- Recovery in limited space problemless
- All operations can be handled by one person
- After use easy to clean, reusable

## Homologation

- see other side
- Drop test 2,7 meter
- Hydraulic test 600 kPa
- Leakage test 30 kPa (pneumatic)
- Stacking test 13,5 kN
- For solids maximum gross weight = 450 kg
- For liquids maximum density = 1,8

## Quality management

- ISO 9001:2000



Müller Ltd Packaging  
Tramstrasse 20  
CH-4142 Münchenstein 1

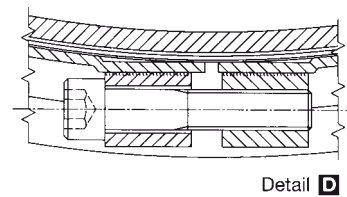
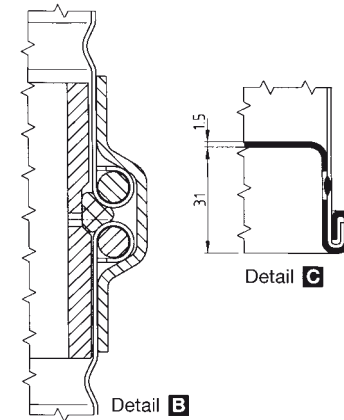
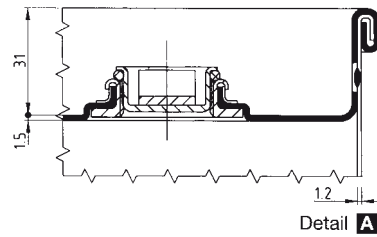
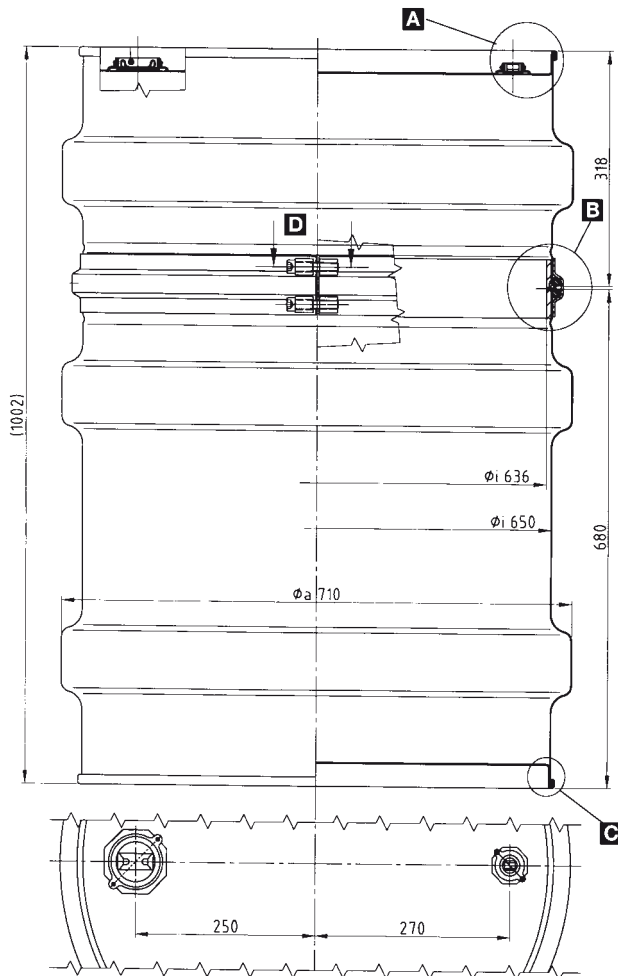
A Company of the Müller-Group  
[www.mueller-group.com](http://www.mueller-group.com)

Phone: ++41(0)61/4161200  
Fax: ++41(0)61/4161222  
Internet: [www.muellerdrums.com](http://www.muellerdrums.com)  
E-mail: [info@muellerdrums.com](mailto:info@muellerdrums.com)

# Technical information



07.07 E



This example shows a recovery drum 307 liters

Capacity Ltr.	Diameter mm	Thickness mm Bottom/Body/Top	UN Marking	Remarks
307 (220+87)	636	1,50 / 1,20 / 1,50	UN 1A2W/X450/S/./CH-2799 UN 1A2W/X1.8/600/./CH-2799 UN 1A2T/X450/S/./CH-2799	Weight: ca. 50 kg
427 (220+207)	636	1,50 / 1,20 / 1,50	UN 1A2W/X450/S/./CH-2799 UN 1A2W/X1.8/600/./CH-2799 UN 1A2T/X450/S/./CH-2799	Weight: ca. 58 kg

Other sizes and design upon request

For more information please contact us and ask for detailed technical documentation

Müller Ltd Packaging  
Tramstrasse 20  
CH-4142 Münchenstein 1

Phone: ++41(0)61/4161200  
Fax: ++41(0)61/4161222  
Internet: [www.muellerdrums.com](http://www.muellerdrums.com)  
E-mail: [info@muellerdrums.com](mailto:info@muellerdrums.com)

A Company of the Müller-Group  
[www.mueller-group.com](http://www.mueller-group.com)