

Recovery drum 307 and 427 liters for Emergencies, long lifetime



11.008 E

Advantages

- UN homologation for **fluid solid** dangerous goods group I, group II and III
- Easy handling with optimal construction
- Quick recovery of damaged containers
- Optimal drainable
- Cost saving - reusable

Construction

- Body butt - welded
- Top/bottom seamed welded to the body
- Seam reinforced with rod iron
- Top with 2" and 3/4" bung
- Closure galvanized or in stainless steel
- Inside with mounted support ring
- Locking ring with 4 recessed hexagonal screws M12 x 60

Materials

- Stainless steel 1.4301 (standard) or upon request 1.4435/ AISI/BS 316

- Support ring in stainless steel 1.4301
- Seal: O-ring of EPDM
- Locking ring St 12.03 electroplated
- Plug stainless steel, with PE-washer

Surface treatment

- Stainless steel untreated

Remarks

- Recovery in limited space problemless
- All operations can be handled by one person
- After use easy to clean, reusable

Homologation

- see other side
- Drop test 2,7 meter
- Hydraulic test 600 kPa
- Leakage test 30 kPa (pneumatic)
- Stacking test 13,5 kN
- For solids maximum gross weight = 450 kg
- For liquids maximum density = 1,8

Quality management

- ISO 9001:2008
- DIN EN 15593 : 2008



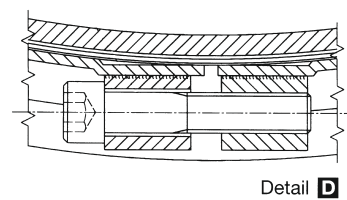
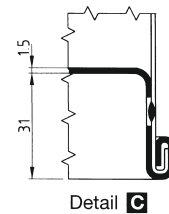
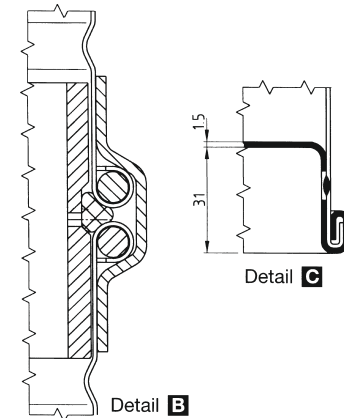
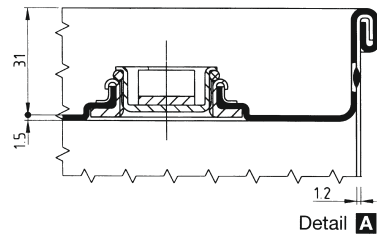
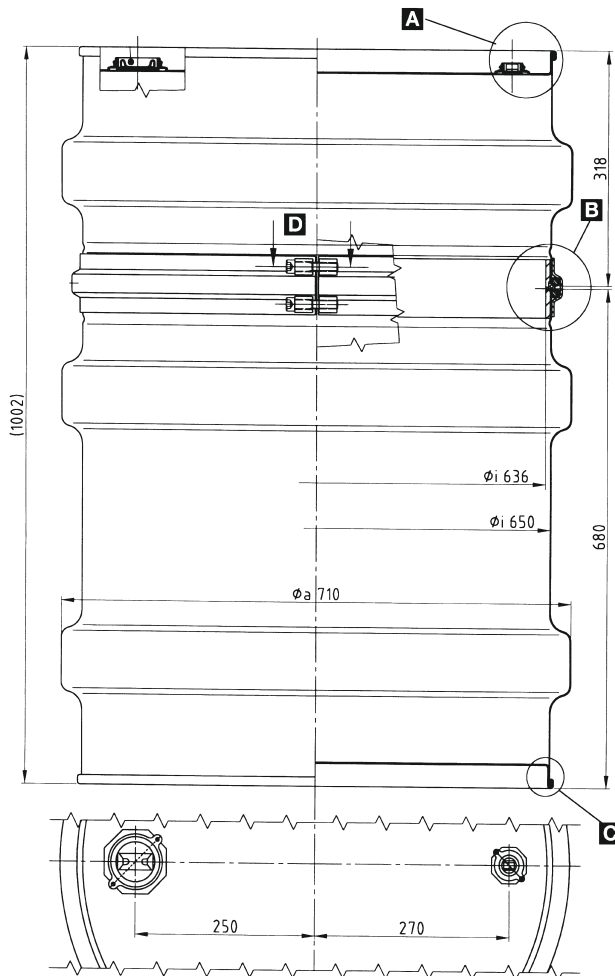
Müller Ltd Packaging
Tramstrasse 20
CH-4142 Münchenstein
Switzerland

A Company of the Müller-Group
www.mueller-group.com

Phone: +41(0)61/4161200
Fax: +41(0)61/4161222
Internet: www.muellerdrums.com
E-mail: info@muellerdrums.com

Technical information

11.008 E



This example shows a recovery drum 307 liters

Capacity Ltr.	Diameter mm	Thickness mm Bottom/Body/Top	UN Marking	Remarks
307 (220+87)	636	1,50 / 1,20 / 1,50	UN 1A2W/X450/S/./CH-2799 UN 1A2W/X1.8/600/./CH-2799 UN 1A2T/X450/S/./CH-2799	Weight: ca. 50 kg
427 (220+207)	636	1,50 / 1,20 / 1,50	UN 1A2W/X450/S/./CH-2799 UN 1A2W/X1.8/600/./CH-2799 UN 1A2T/X450/S/./CH-2799	Weight: ca. 58 kg

Other sizes and design upon request
For more information please contact us and ask for detailed technical documentation

Müller Ltd Packaging
Tramstrasse 20
CH-4142 Münchenstein
Switzerland

Phone: +41(0)61/4161200
Fax: +41(0)61/4161222
Internet: www.muellerdrums.com
E-mail: info@muellerdrums.com

A Company of the Müller-Group
www.mueller-group.com