

Canister



Advantages

- UN homologation for fluid dangerous goods
- Compliance with 94/62 EC
- Coatings also can comply with EC 1895/2005, AP 96 (5) EC, BAG, BGA, FDA, EU 90.128/EEC
- Optimal handling and storage
- Fully drainable

Construction

- Body overlapped welded, bottom seamed with injected sealing compound
- Different handles possible

Materials

- Mild steel St 12.03, galvanized or stainless steel
- Different sealing types available

Surface treatment

- Galvanized, lacquered or powder coated
- Exactly suitable for your products
- With or without silk screening

11.003 E

Remarks

- Rational small container exactly simulating bigger packagings of its type
- High chemical resistance
- Materials recyclable without any problems

Quality management

- ISO 9001 : 2008
- DIN EN 15593 : 2008



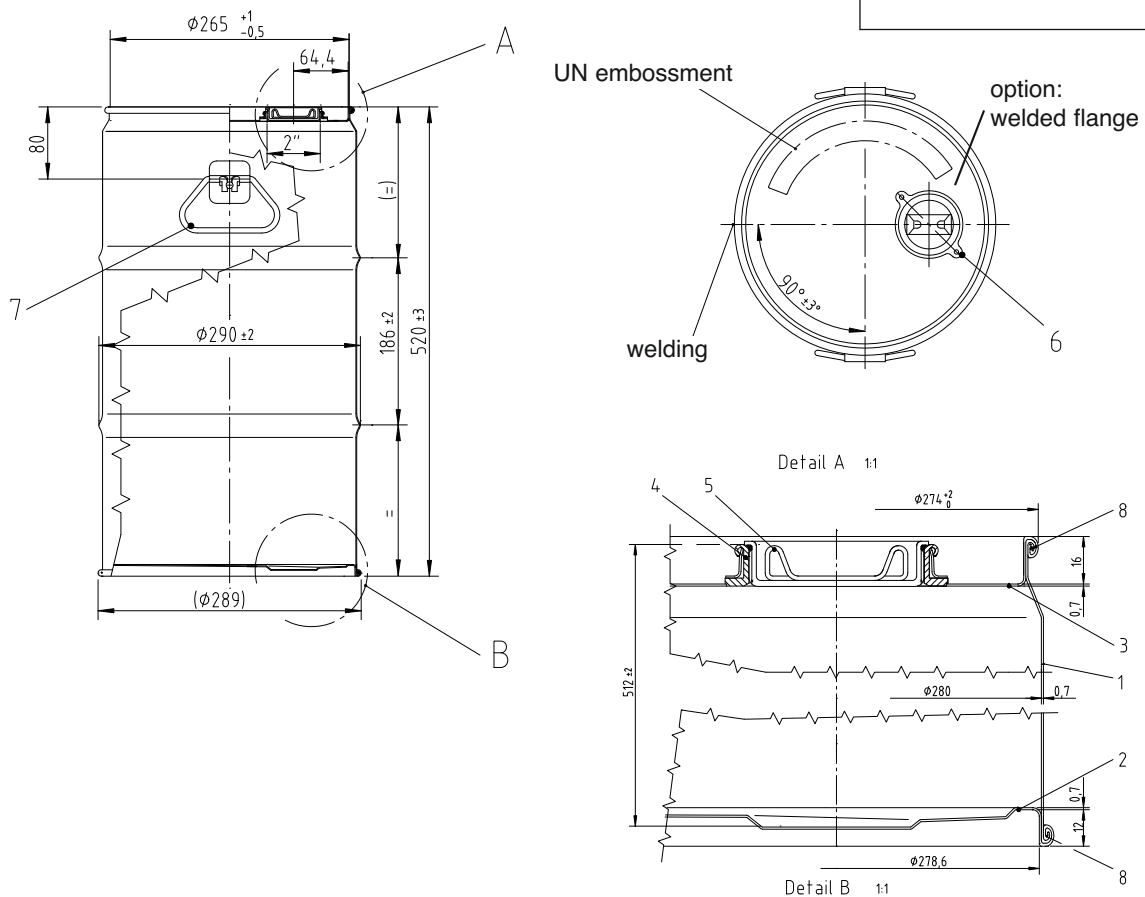
Müller Ltd Packaging
Tramstrasse 20
CH-4142 Münchenstein
Switzerland

A Company of the Müller-Group
www.mueller-group.com

Phone: +41(0)61/416 1200
Fax: +41(0)61/416 1222
Internet: www.muellerdrums.com
E-mail: info@muellerdrums.com

Technical information

11.003 E



This example shows a 28 liter canister

Capacity Ltr.	Diameter mm	Thickness mm Bottom/Body/Top	UN Marking	Remarks
1,5 / 5	160	0,6 / 0,6 / 0,6	UN 1A1/X2,0/500/.../CH/EGI-3255	
6,5 / 13,5	240 / 230	0,6 / 0,5 / 0,6	UN 1A1/X/280/.../CH2201	FLEXSPOUT or TRI-SURE-closure
17,0	240 / 230	0,6 / 0,5 / 0,6	UN 1A1/X/550/.../CH2415	TRI-SURE-closure
28	280 / 265	0,7 / 0,7 / 0,7	UN 1A1/X/500/.../CH3085	TRI-SURE-closure
28	280	0,7 / 0,7 / 0,7	UN 1A1/X2.3/500/.../CH/EGI-4204407	1.4301 TRI-SURE-closure
32,5	305 / 295	0,6 / 0,75 / 0,6	UN 1A1/Y/280/.../CH2173	TRI-SURE-closure
32,5	305 / 295	0,6 / 0,6 / 0,6	UN 1A1/Y/280/.../CH2122	FLEXSPOUT or TRI-SURE-closure
32,5	305 / 295	0,6 / 0,6 / 0,6	UN 1A1/X/280/.../CH/EGI-3736	FLEXSPOUT or TRI-SURE-closure

Other sizes and design upon request

For more information please contact us and ask for detailed technical documentation

Müller Ltd Packaging
Tramstrasse 20
CH-4142 Münchenstein
Switzerland

Phone: +41(0)61/416 1200
Fax: +41(0)61/416 1222
Internet: www.muellerdrums.com
E-mail: info@muellerdrums.com

A Company of the Müller-Group
www.mueller-group.com